

# IPT

Integrated Payment Terminal



YOUR FRONT END  
PAYMENT SOLUTION.



*Innovision*



# IPT

## Integrated Payment Terminal

### Completed integration

IPT is designed for forecourt payment transaction, offering a dedicated card service for fueling positions at the pump. Supports Smart card and magnetic stripe card (triple track), contactless card is optional. IPT with waterproof and dustproof design. There is a gate in card insertion slot of reader, it could resist dust or water get into it; otherwise, the LCD bonding with the AR lens that made by tempered glass to protect the LCD and sunlight readable to provide the better view.

### High compatibility

IPT provides flexible application to processes debit card, value stored card, prepaid card, bonus card, VIP card and fleet card solution. We also provide local font transfer tool to transfer local language to IPT for display or printing.

### Easy installation

Compact size could mount on dispenser directly. All components integrate into a compact box, therefore, install it on dispenser is very easy.

### Stable

Powerful ARM 32 bit CPU with large memory size; running Embedded Linux Operating system to make it more stable.



## Specification

### Processor

32bits ARM processor 400MHz

### Flash Memory

128MB NAND Flash

### SPI Flash

2MB(Data Memory)

### SDRAM

64MB/128MB(Optional)

### OS

Embedded Linux Operating System

### Keypad

1. Encryption 16 keys rugged metal keypad.
2. 8 screen-addressable keys

### Interface

1. SDHC card socket x 2
2. SAM slot x 4

### Display

1. High resolution Sunlight readable 5" SVGA LCD (800x480)
2. 240x128 dot matrix graphic monochrome FSTN LCD is optional

### Communication

1. Ethernet 10/100MHz x 2
2. USB 2.0 host x 1
3. USB 2.0 client x 1
4. RS232 x 9
  - 1) 5 ports occupied by devices
  - 2) 4 ports reserve, RJ12 type

### Forecourt Controller

1. 4 current loop interface or
2. 4 RS422/485 interface

### Dimension

1. 220mm x 230mm x 210mm (WxHxD)
2. Cut-out: 210mm x 220mm (WxH)



# ITP-629 Printer

IPT could connect ITP-629 as the receipt printer. ITP-629 is a high speed (200mm/Sec) and high resolution (200dpi) line thermal printer, could print clear graphic such company logo. The logo could save in the EEPROM of ITP-629 to save the printing time.

ITP-629 is designed to mount on dispenser directly, it is very stable and efficient. Printing on 2-inch wide paper (58 mm). This printer is compact and light weight, and the design allows easy head maintenance, easy head cleaning and easy head replacement.

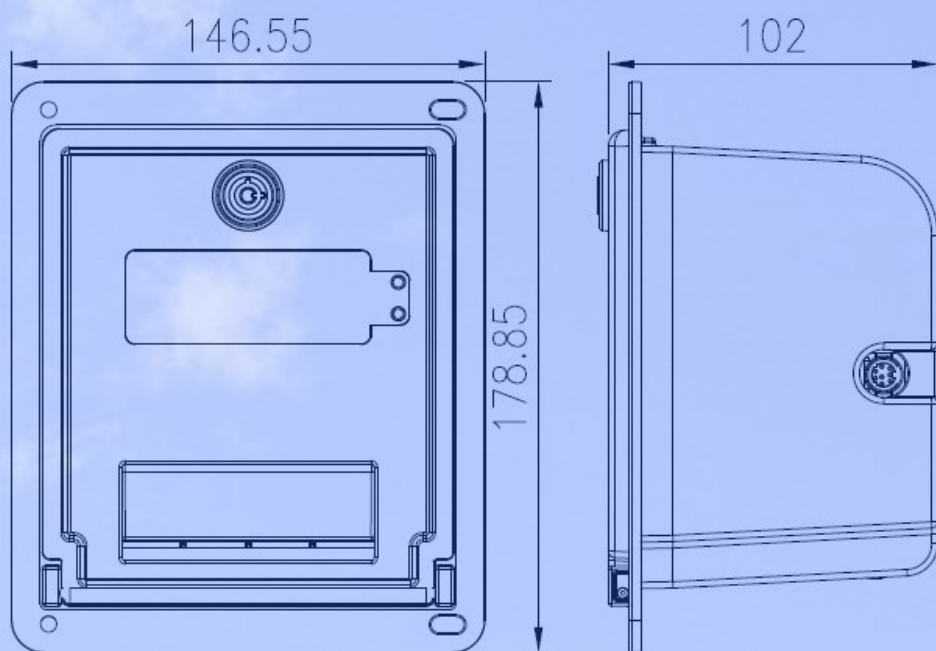
## Feature

- ※ Use Fujitsu printer mechanism.
- ※ RS232 /RS485 communication
- ※ Similar with ECS/POS command set.
- ※ Supports text and graphic printing.
- ※ Supports Bitmap printing.
- ※ Supports bar code printing.
- ※ Paper out detection.
- ※ Head up detection.
- ※ Auto cutter. Full cut or partial cut.
- ※ Baud rate selectable.

## Specification

Printer mecha-	Fujitsu FTP-629MCL354
Dots / line	432 dots
Effective printing	54mm
Printing speed	200mm/Sec (Max)
Communication	RS-232, RS485
MCU	16 bits MCU
Data Buffer	32KB
Font ROM	4MB Flash (Downloadable)

## Dimension





## Contact information

### Hong Kong

Suite 802, 8/F, Chinachem Century Tower, 178 Gloucester Road,  
Wanchai, Hong Kong

Tel : +852 2851 3899 Fax : +852 2851 6310

### Taiwan

16/F, No. 92 Xingde Road, Sanchong Dist., New Taipei City,  
Taiwan, R.O.C. (Post Code: 24158)

Tell : +886-2-8511 1288 Fax : +886-2-8511 1293

### China

No. 25, Room 1703, Tianhe South 2nd Rd., Tianhe Dist., Guangzhou,  
Guangdong, P.R.C.

Tel : +86-20-8756 1314 Fax : +86-20-8756 1284



**Innovision**